

30mm Command/52, Chrome Finish Heavy Duty, Watertight/Oiltight Complete Metal Unit Illuminated Twist-to-Release Full Voltage, 24V AC/DC LED Lamp Mushroom Head Cap Small 1.79" (45 mm) Plastic Cap, Red 2 Position Maintained, Twist-to-Release with 1 N.O. - 1 N.C. Heavy Duty Contacts, A600/P600 UL Listed, CSA Certified NEMA 1,3,3R,4,4X,12,13 & Automotive Standards

Enclosure	
number of command points	1
delivery state as a kit	No
Actuator	
product extension optional light source	Yes
material of the actuating element	plastic
number of contact modules	1
type of unlocking device	rotate-to-unlatch mechanism
number of switching positions	2
Front ring	
product component front ring	Yes
design of the front ring	standard
material of the front ring	metal
Holder	
material of the holder	metal
Contact block/ lampholder	
number of lampholders	1
Display	
number of LED modules	1
General technical data	
product function positive opening	Yes
product component	
• lamp transformer	No
• light source	Yes
type of voltage	
• of the operating voltage	AC/DC
• of the input voltage	AC/DC
surge voltage resistance rated value	4 kV
protection class IP	IP66
protection class IP of the terminal	IP20
thermal current	10 A
Weight	0.1 kg
Supply voltage	
type of voltage of the supply voltage of the light source	AC/DC
supply voltage of the light source at AC at 60 Hz rated value	
•	28 ... 24 V
supply voltage of the light source at DC rated value	
•	28 ... 24 V
Auxiliary circuit	
number of NC contacts for auxiliary contacts	1

<b>number of NO contacts for auxiliary contacts</b>	1
<b>operational current at AC-15</b>	
• at 110 V rated value	60 A
• at 230 V rated value	30 A
• at 400 V rated value	15 A
• at 500 V rated value	12 A
<b>Connections/ Terminals</b>	
<b>type of electrical connection</b>	screw terminal
<b>tightening torque of the screws in the bracket maximum</b>	20 N·m
tightening torque [lbf·in] with screw-type terminals	8 ... 8 lbf·in
<b>Lamp</b>	
<b>color of the light source</b>	red
<b>Ambient conditions</b>	
<b>ambient temperature</b>	
• during operation	-35 ... +70 °C
• during storage	-40 ... +85 °C
<b>Installation/ mounting/ dimensions</b>	
<b>shape of the installation opening</b>	round
<b>Further information</b>	

**Information on the packaging**

<https://support.industry.siemens.com/cs/ww/en/view/109813875>

**Information- and Downloadcenter (Catalogs, Brochures,...)**

<https://www.siemens.com/ic10>

**Industry Mall (Online ordering system)**

<https://mall.industry.siemens.com/mall/en/en/Catalog/product?mlfb=US2:52PR8DRAB>

**Cax online generator**

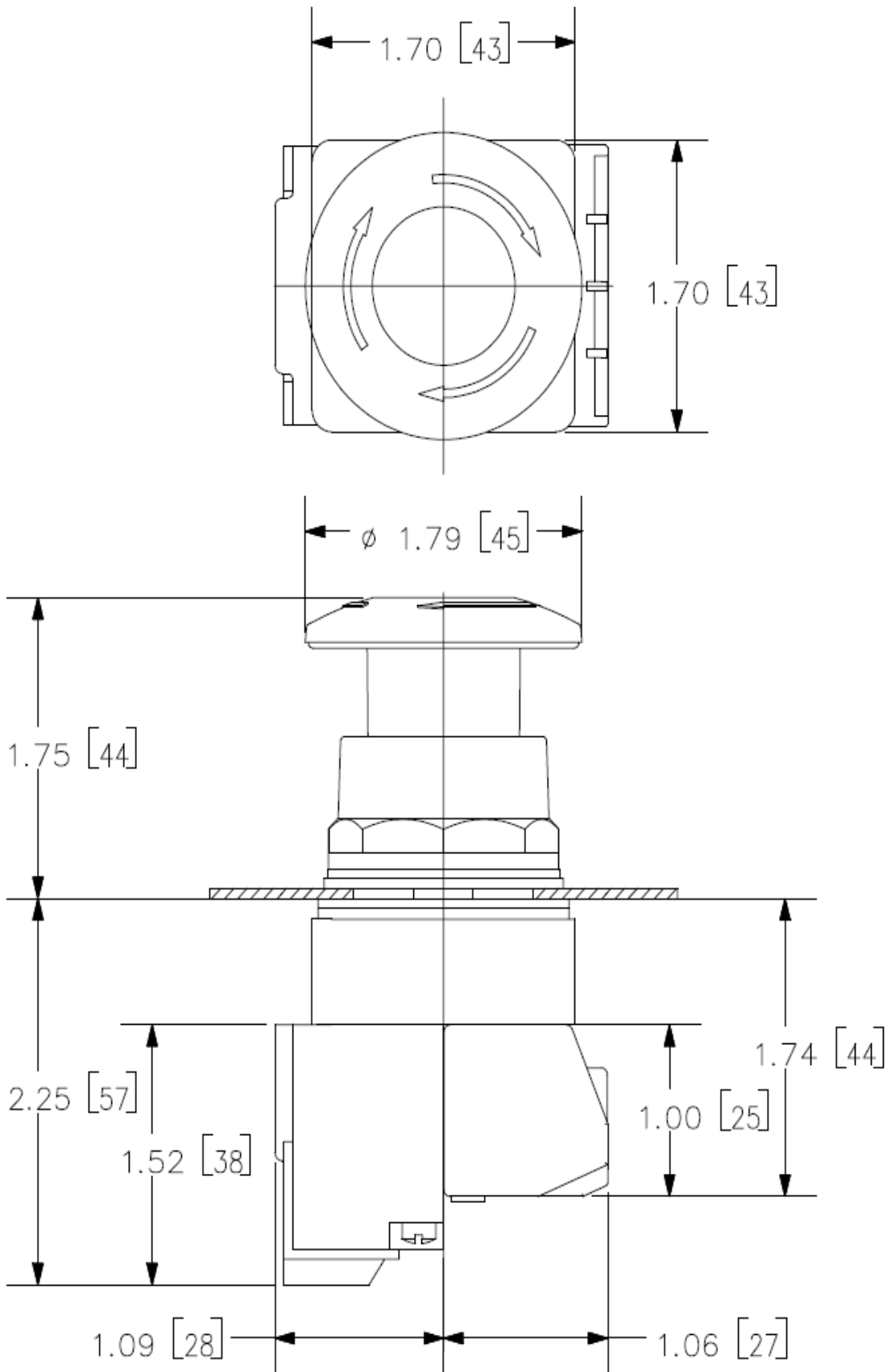
<http://support.automation.siemens.com/WW/CAXorder/default.aspx?lang=en&mlfb=US2:52PR8DRAB>

**Service&Support (Manuals, Certificates, Characteristics, FAQs,...)**

<https://support.industry.siemens.com/cs/ww/en/ps/US2:52PR8DRAB>

**Image database (product images, 2D dimension drawings, 3D models, device circuit diagrams, EPLAN macros, ...)**

[http://www.automation.siemens.com/bilddb/cax\\_de.aspx?mlfb=US2:52PR8DRAB&lang=en](http://www.automation.siemens.com/bilddb/cax_de.aspx?mlfb=US2:52PR8DRAB&lang=en)



last modified:

4/8/2024